



POWERDOCK

for MōVI® COMMANDER™

 COMMANDER
redrockmicro FC CE RoHS
SERIAL: C3180002

A

CANON
LP-E6

 redrockmicro
SERIAL: E171391
FC CE RoHS



REV. 1.1

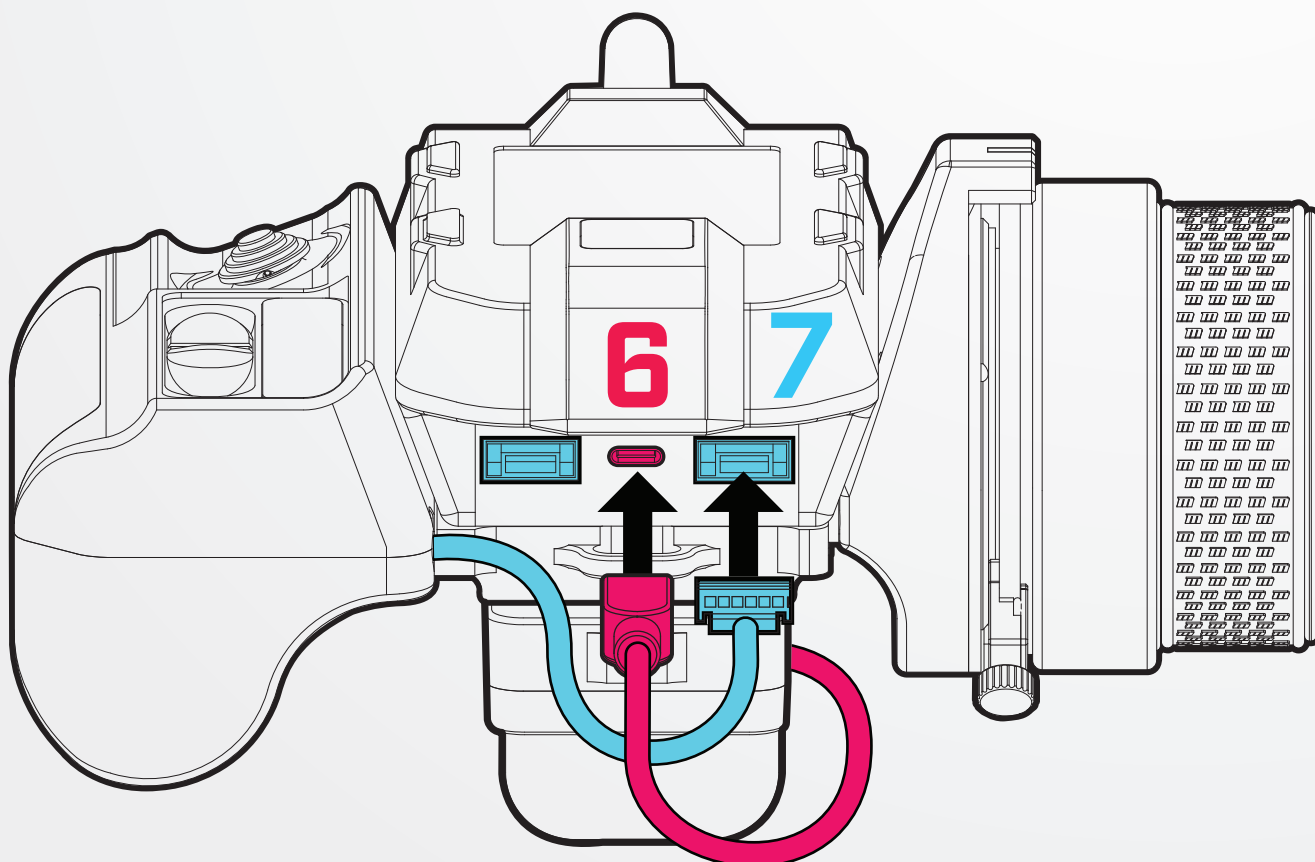
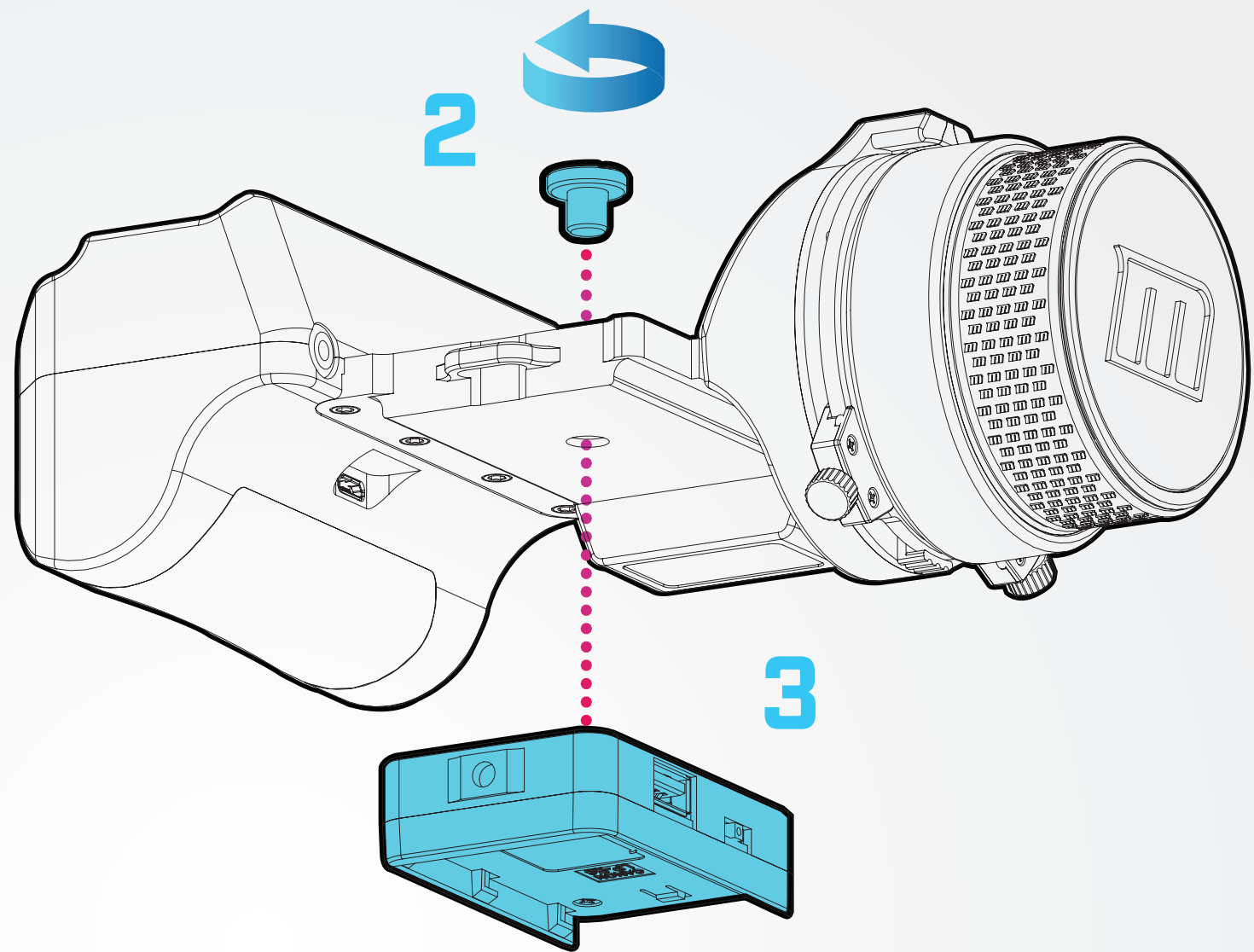
1. The powerDock must be installed BEFORE the MIMIC is installed into the Commander.

2. Insert the 1/4-20 camera screw into the Commander's 'cradle.'

3. Position the powerDock as shown and tighten camera screw until secure.

4. Insert a fully charged LP-E6 battery into the powerDock.

5. Install MIMIC into Commander according to the **Commander for MoVI Pro** User Guide.



6. Connect the USB-C connector of the powerDock to the USB-C port of the MIMIC.

7. Connect the 6 pin JST-GH connector from Commander to either COM 1 or COM 2 of the MIMIC.

8. Now Commander draws power from the MIMIC, and the MIMIC draws power from the powerDOCK.

For further information regarding Commander,
please see the **Commander User Guide**



redrockmicro

Redrock Micro provides a one year limited warranty for Redrock products that contain electronic components. This limited hardware warranty covers defects in workmanship and materials of our products for up to one year, and does not cover damage to this product that results from improper installation, accidents, abuse, misuse, negligence, natural disaster, insufficient or excessive electrical supply (if applies), damage from incorrect cabling, abnormal mechanical or environmental conditions, dust or any unauthorized disassembly, repair or modification.

The powerDock complies with Part 15 of the FCC Rules. Operation is subject to the following two conditions: (I.) this device may not cause harmful interference and (II.) this device must accept any interference received, including interference that may cause undesired operation.

USB-C: 12V Regulated 2.5 Amp max
USB Aux: 5V Regulated 0.5 Amp
[accessory charging]

