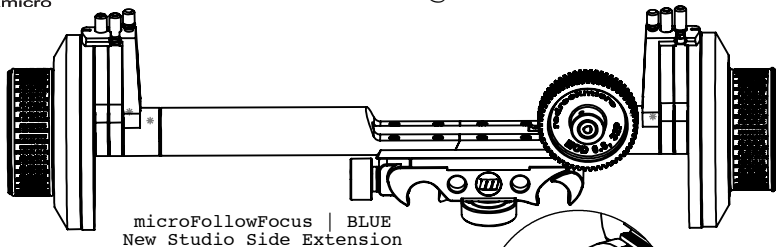
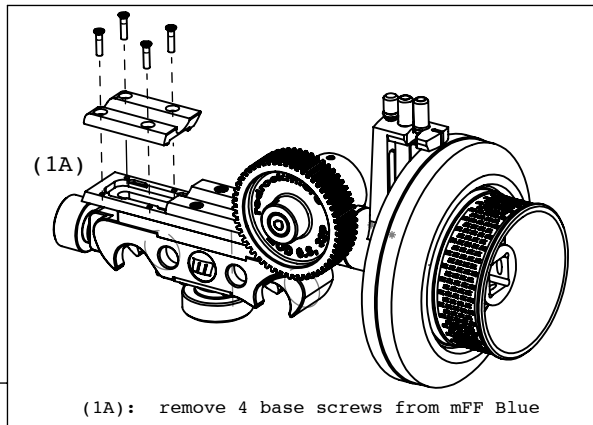




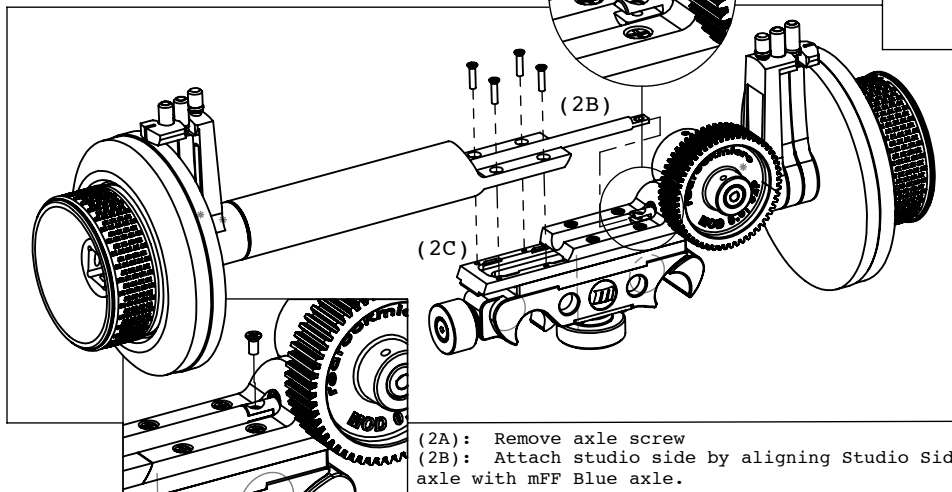
Title: *microFollowFocus | BLUE*
Scene: *Add Studio side to existing mFF Blue*



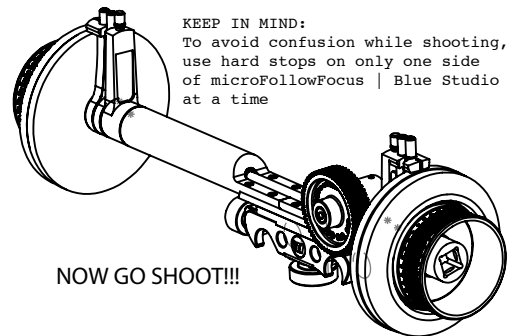
microFollowFocus | BLUE
New Studio Side Extension



(1A): remove 4 base screws from mFF Blue



- (2A): Remove axle screw
- (2B): Attach studio side by aligning Studio Side axle with mFF Blue axle.
- (2C): Replace and tighten 4 base screws.



KEEP IN MIND:
To avoid confusion while shooting, use hard stops on only one side of microFollowFocus | Blue Studio at a time

NOW GO SHOOT!!!

create the cinema experience



<http://start.redrockmicro.com>
Tutorials, forums, customer support