

SLS

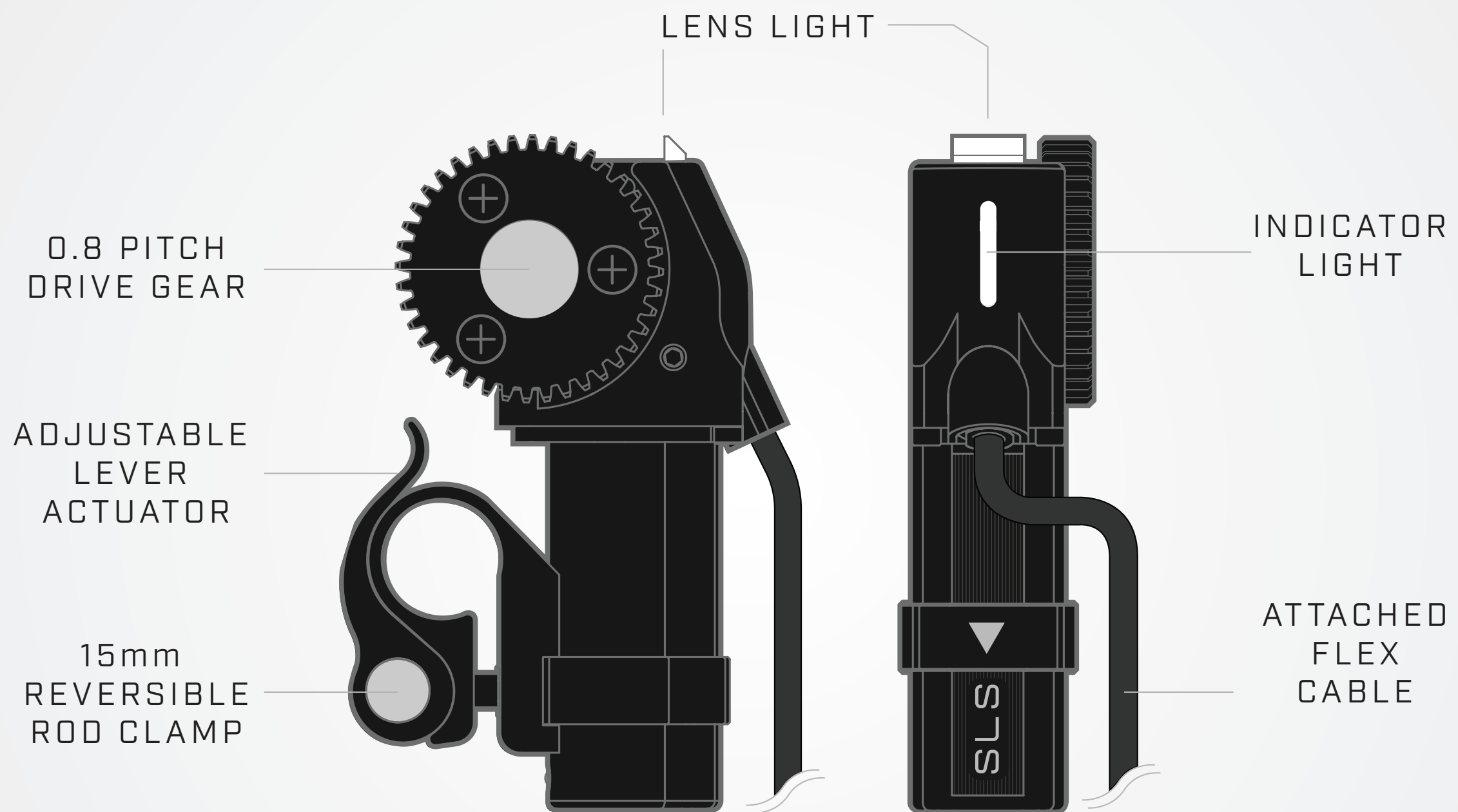
USER GUIDE



REV. 1.1

SLS

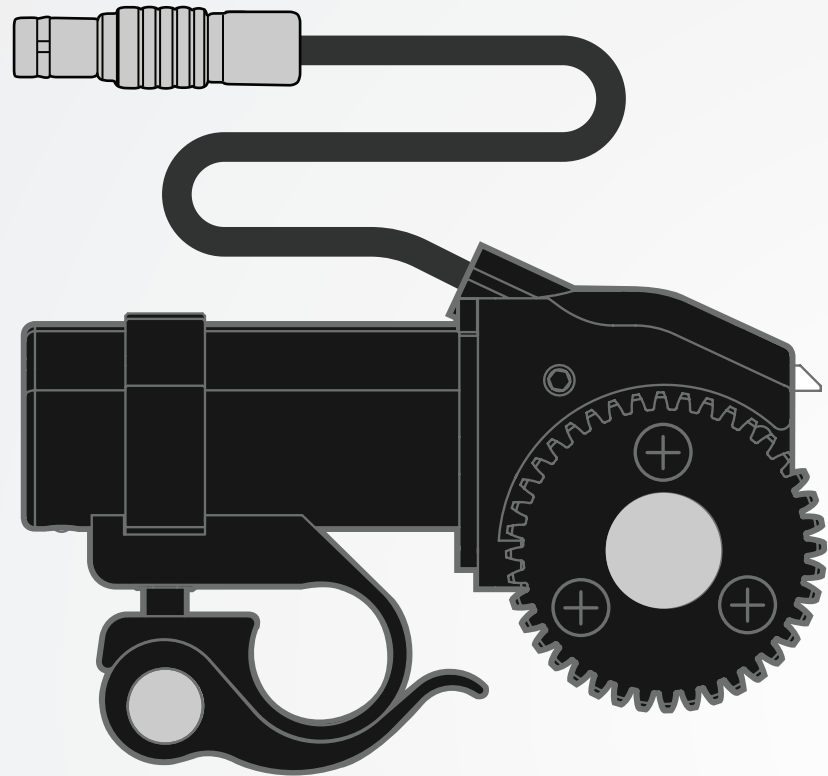
OVERVIEW



SLS motors are the strongest, lightest motors available for gimbals. Part of the SLS weight-saving feature set is the integrated FLEX cable. To learn more about your specific SLS motor, see [page 3](#).

PICK YOUR MOTOR

MICROREMOTE

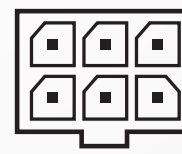
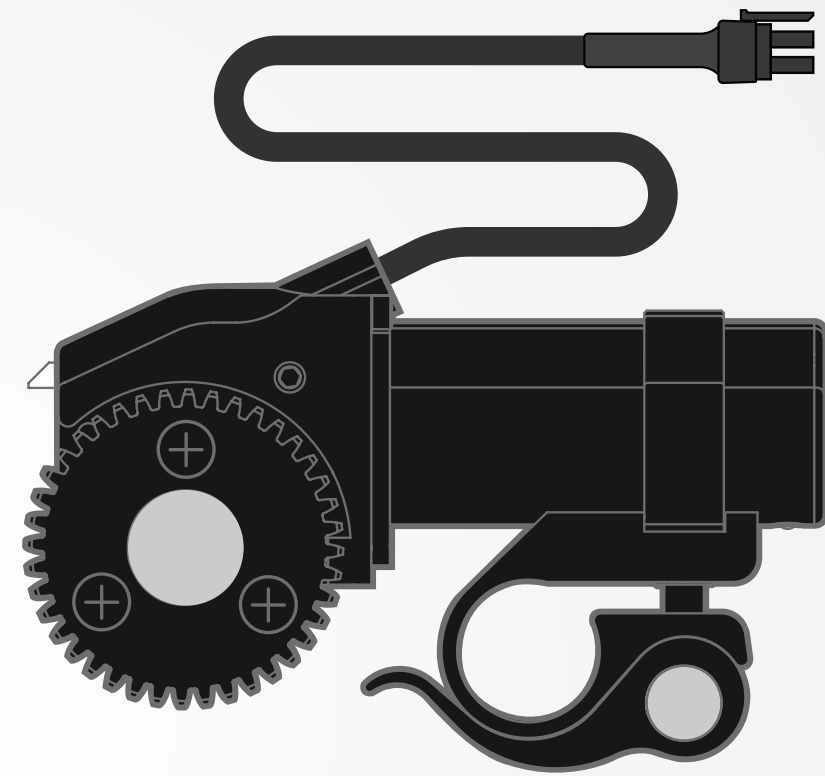


SLS for microRemote features a standard 7-pin connector for plugging into the Basestation.

Follow your microRemote booklet for a comprehensive user guide. Setup and use of the SLS motor is the same as the Torque motor, but with improved performance.

[CLICK TO LEARN MORE](#)

MoVI PRO



SLS for MoVI Pro features a Molex microfit connector for plugging directly into the gimbal.

Follow your MoVI Pro instructions for a comprehensive user guide. SLS responds to the Freefly controllers like its part of the system. Check out the link below for some

[CLICK TO LEARN MORE](#)