

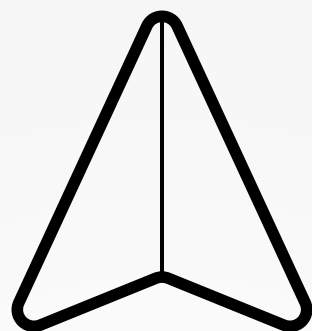


NAVIGATOR

MOVI PRO USER GUIDE

REV. 1.0





NAVIGATOR

for MoVI Pro

MoVI PRO MODE

3

LENS MODE

4

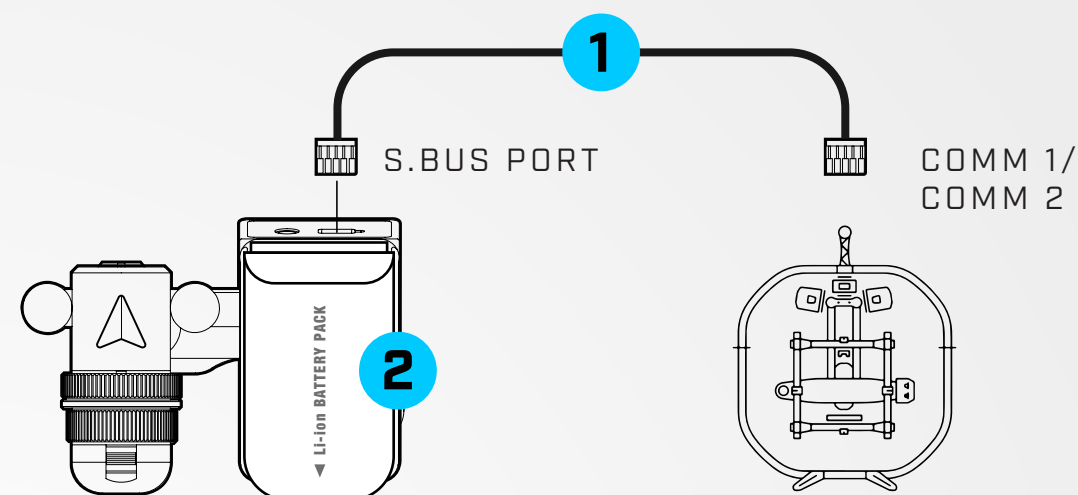
GIMBAL MODE

5

This user guide focuses on Navigator functions specific to the **MoVI Pro**. For more detailed general use of the Navigator, please see the **General Navigator User Guide**.

MoVI PRO MODE

1. Connect Navigator (S.Bus Port) to MoVI Pro (COMM 1 or COMM 2) with appropriate cable.
2. Power Navigator with either an external power source or a Canon style LP-E6 battery.
3. Press in and hold the menu rotary switch on the side of Navigator to enter the Setup Menu. Rotate the dial to navigate to the MoVI Pro screen and press the rotary switch in.
4. Rotate the switch/dial to change from “Disabled” to “Enabled”. Press in on the switch. Navigate to the Exit screen to exit the Setup Menu.
5. When in MoVI Pro mode you will see the MoVI Pro icon along the top edge of the display.



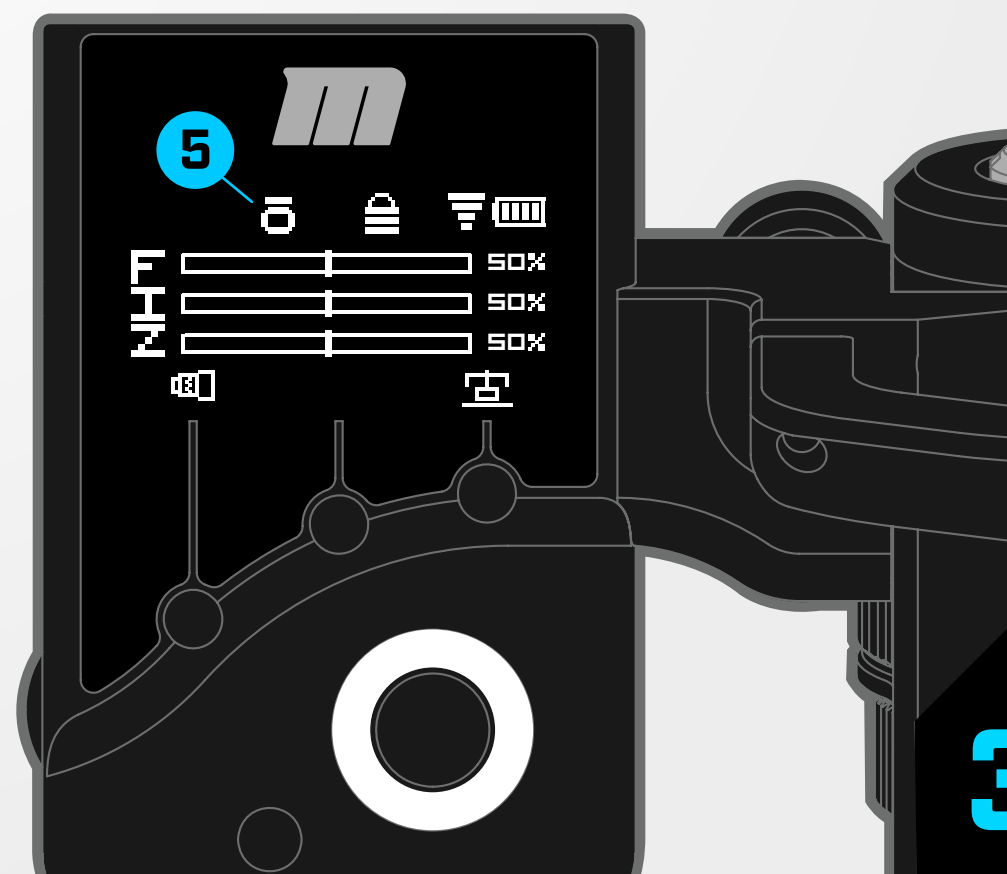
3



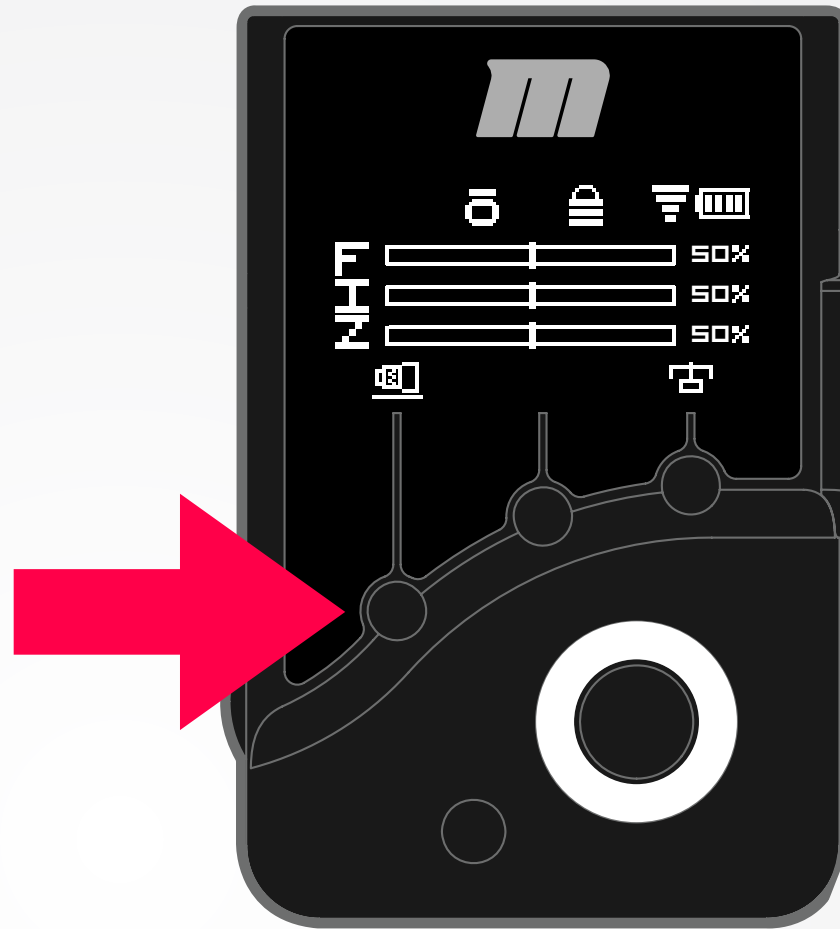
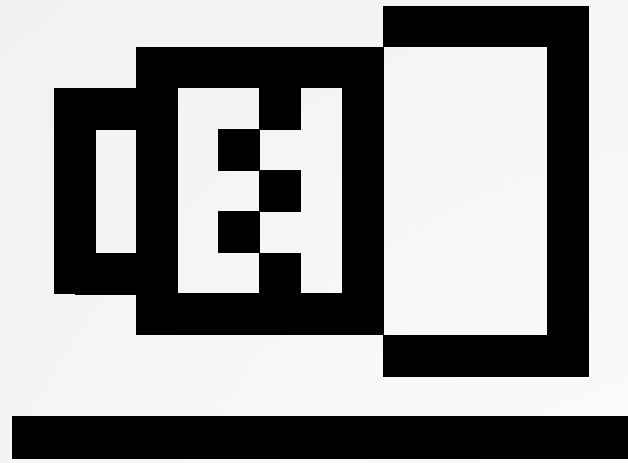
4



5



LENS MODE



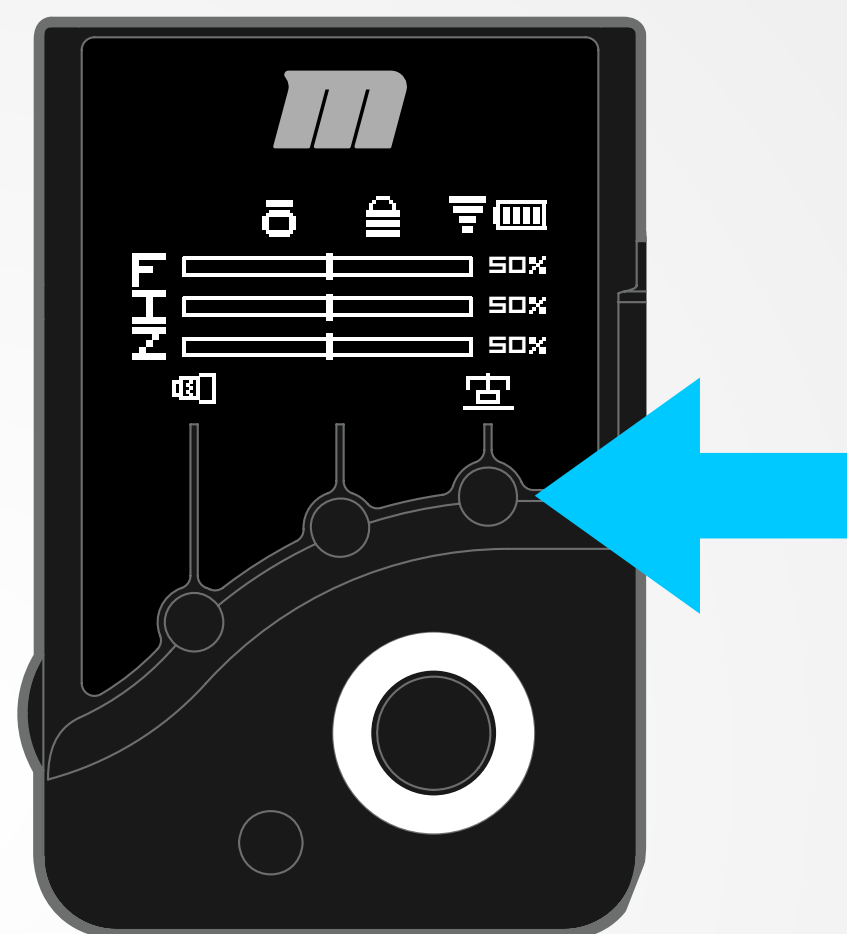
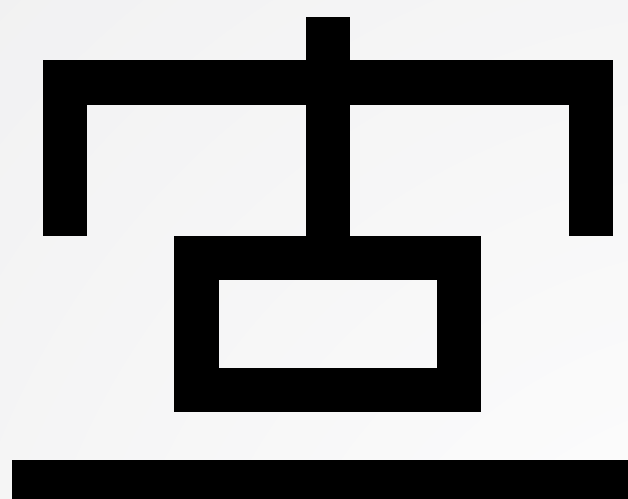
Press Softkey 1 to enter Lens Mode, indicated when the lens icon is underlined.

In Lens Mode you have control of FIZ. Focus and Iris by the control knobs, and Zoom by the joystick.

DOUBLE-CLICKING Softkey 1 sends an AUTO CALIBRATION to MoVI. All 3 axis will calibrate.



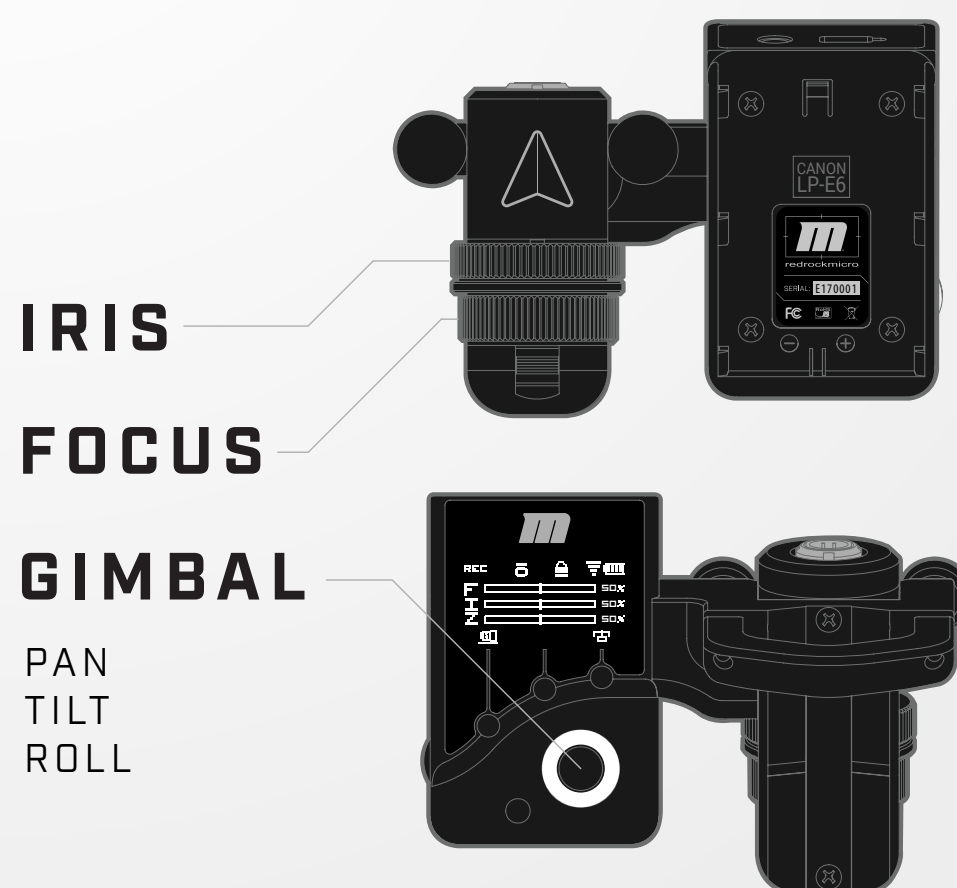
GIMBAL MODE

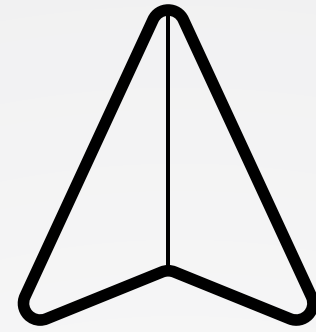


Press Softkey 3 to enter Gimbal Mode, indicated when the gimbal icon is underlined.

In Gimbal Mode you have control of gimbal pan, tilt, and roll with the joystick. Focus and Iris controls are still enabled.

To roll the gimbal, hold joystick in while moving left or right.

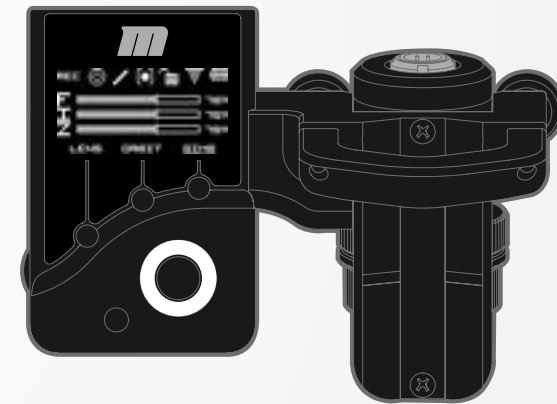




NAVIGATOR

for MoVI Pro

This user guide focuses on Navigator functions specific to the **MoVI Pro**. For more comprehensive general use of the Navigator, please see the **General Navigator User Guide**.



FREEFLY, MOVI, MOVI PRO, and MIMIC are trademarks or registered trademarks of Freefly Systems Inc. in the USA and other countries.

 start.redrockmicro.com
User Guides, Tutorials, Customer Support



The COMMANDER complies with Part 15 of the FCC Rules. Operation is subject to the following two conditions: (I.) this device may not cause harmful interference and (II.) this device must accept any interference received, including interference that may cause undesired operation.

Minimum Voltage 12VDC, 3A
Maximum Voltage 18VDC, 3A

