

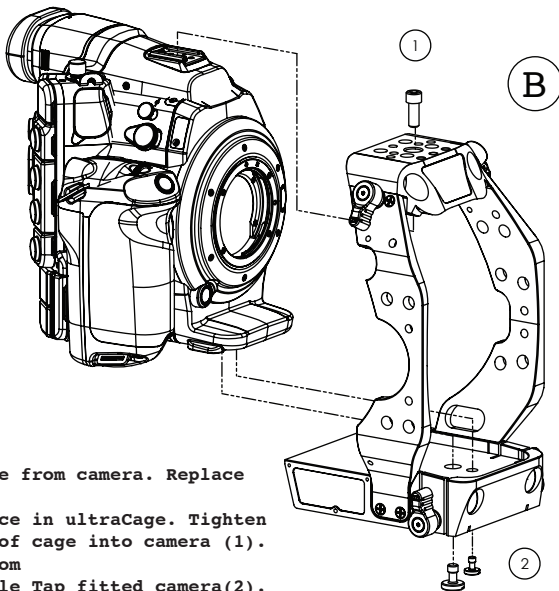
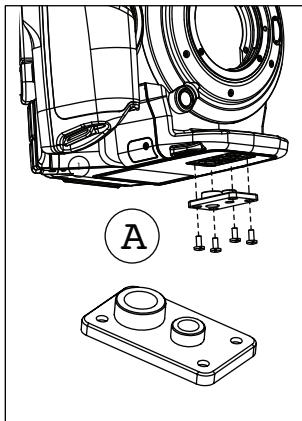


**Title:** *ultraCage | blue for C300/C500*

**Scene:** *ultraCage | blue C300/C500 Camera Installation*

**Pages:** *1 of 1*

**Date:** *04.01.12*



**A:** Remove standard mounting plate from camera. Replace with redrockmicro Double Tap.

**B:** Carefully put camera into place in ultraCage. Tighten 1/4-20 x 3/8" screw from top of cage into camera (1). Tighten both camera screws from underneath the cage into Double Tap fitted camera(2).

