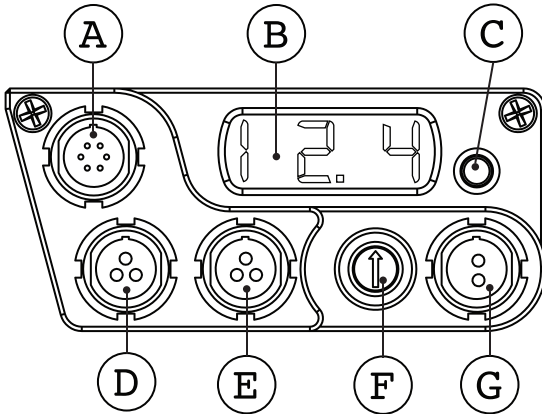
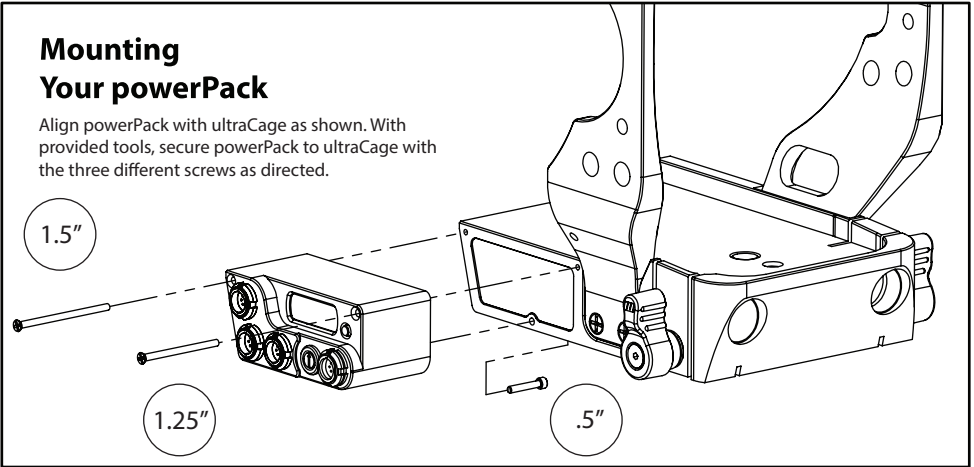


Mounting Your powerPack

Align powerPack with ultraCage as shown. With provided tools, secure powerPack to ultraCage with the three different screws as directed.



SETTING BATTERY VOLTAGE ALERT

The powerPack can alert you when the battery input voltage drops below a certain threshold. To set the alert threshold:

1. Press and hold Display Toggle Button (C) until digit blinks.
2. Release button. Press and release to increment value.
3. Repeat steps 1-2 for each digit.
4. Display will blink when the input voltage reaches the programmed setting.

- A. Power Source Input: 12-18VDC Input. Plug in your external power source here.
B. Voltage Digital Display: Input Voltage, Variable Output Voltage, and Voltage Alert Threshold.
C. Display Toggle Button: Press to toggle between voltage input and Variable Voltage output.
D. Output 1: 12V Regulated/Unregulated output: Depending on cable wiring
E. Output 2: 12V Regulated/Unregulated output: Depending on cable wiring
F. Variable Output Adjustment Knob: Twist to set varying voltage of Output 3 for different devices or cameras. Adjusted voltage is temporarily displayed when Toggle Button (C) is pressed.
G. Output 3: Variable, 5-12VDC.

WARNING: If connecting camera, use Output 3 (G). Using the variable output knob, make sure to set Output 3 to the proper camera voltage BEFORE connecting and powering on camera. Failure to set proper voltage may result in damage to your camera. Consult camera owner's manual for voltage information.

