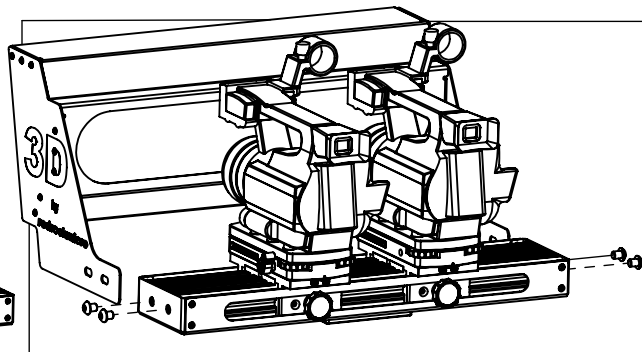
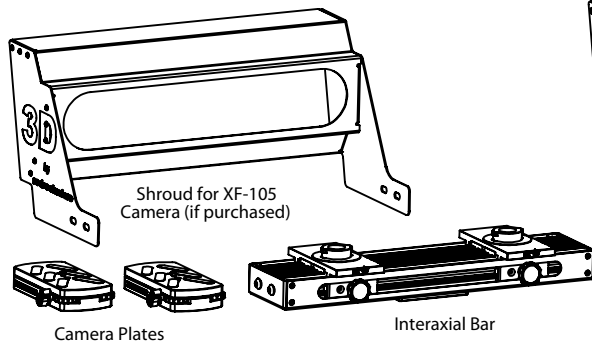
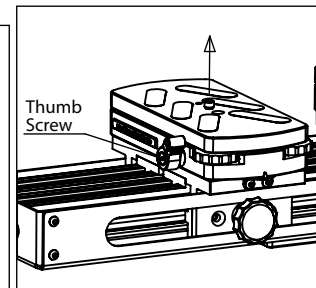




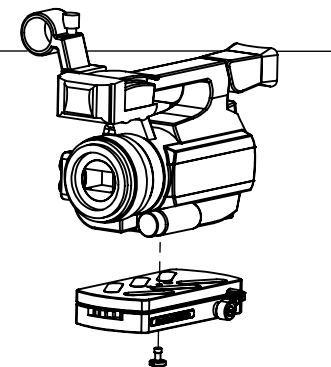
CAST REQUIRED:



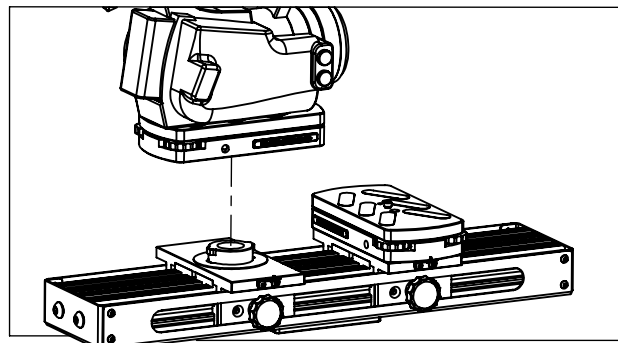
(1) Attach Shroud (if purchased) to Interaxial bar using included screws



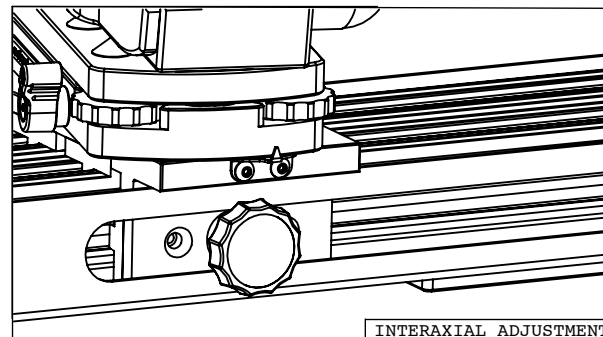
(2a) Remove Camera Plate from Interaxial Bar by turning the knob to loosen Plate, rotate 90 degrees and lift up



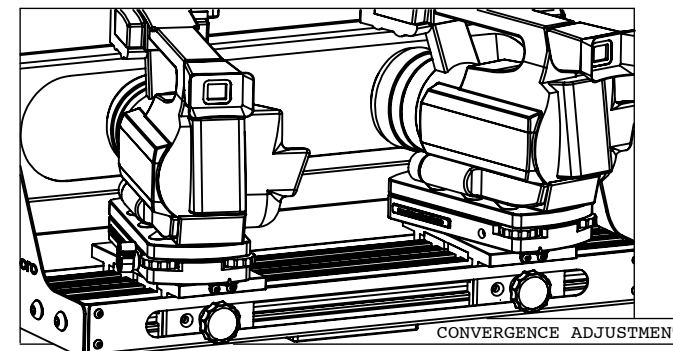
(2b) Attach Camera to Camera Plate by threading the appropriate camera screw through the Plate into the Camera base



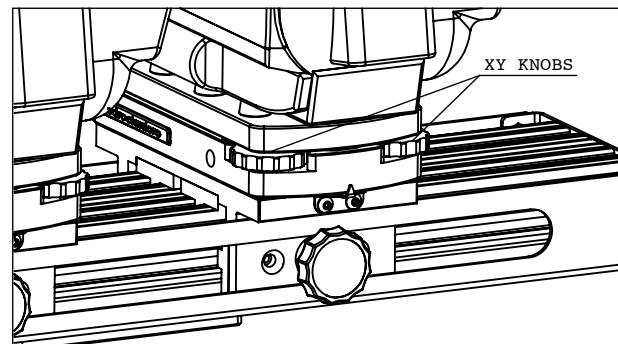
(3) Lower Camera / Camera Plate onto base. Rotate plate 90 degrees and tighten thumb screw to secure the camera. Repeat for second camera



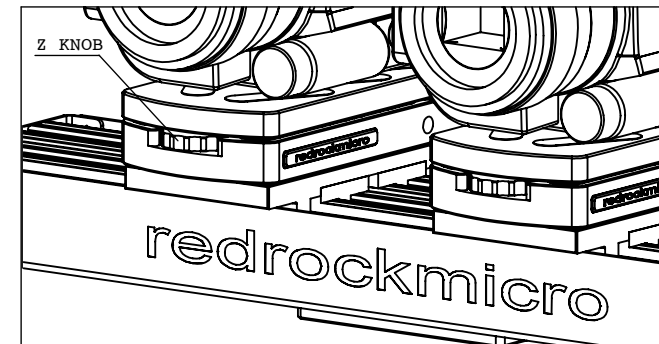
(4) Loosen Interaxial Knob and slide camera to desired interaxial distance. Slide both cameras to maintain center balance



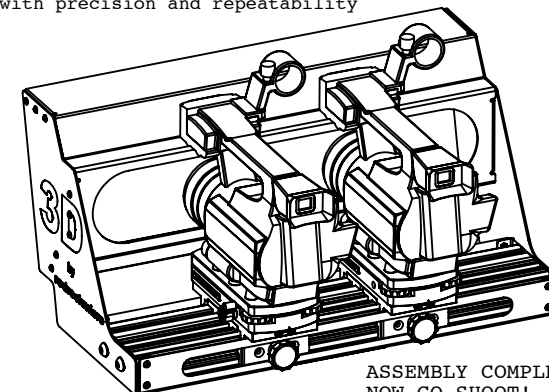
(5) Adjust Convergence by loosening thumb screw and rotating camera(s). You can use scale to adjust both cameras with precision and repeatability



(6a) Align cameras by adjusting the XY knobs on the Camera Plate.



(6b) Adjust the Z knob on front of the Camera Plate to complete Camera alignment



ASSEMBLY COMPLETED  
 NOW GO SHOOT!