



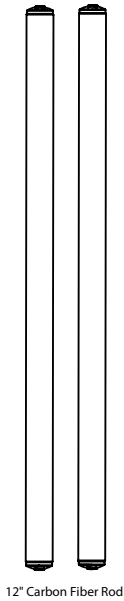
Company: REDROCK MICRO

Title: DSLR 2.0 RIGS

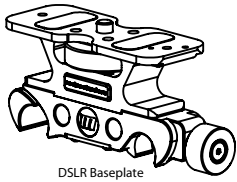
Scene: manCam

Date: 10/15/10

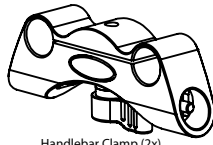
CAST REQUIRED:



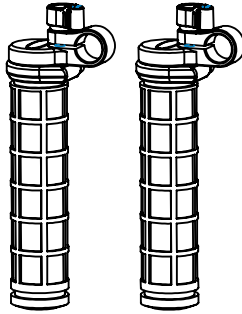
12" Carbon Fiber Rod



DSLR Baseplate



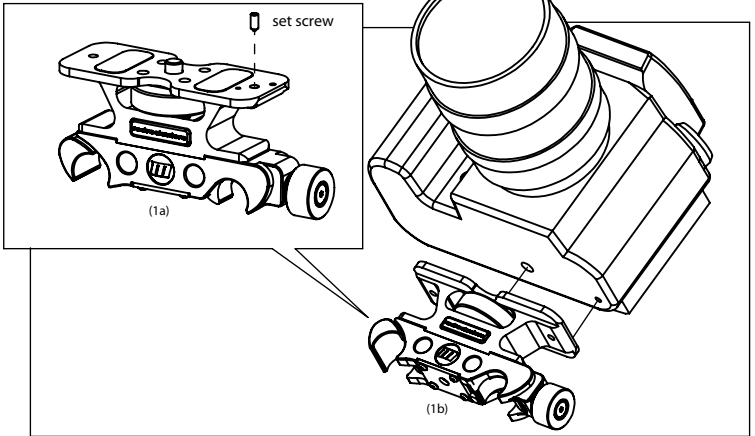
Handlebar Clamp (2x)



Handgrips

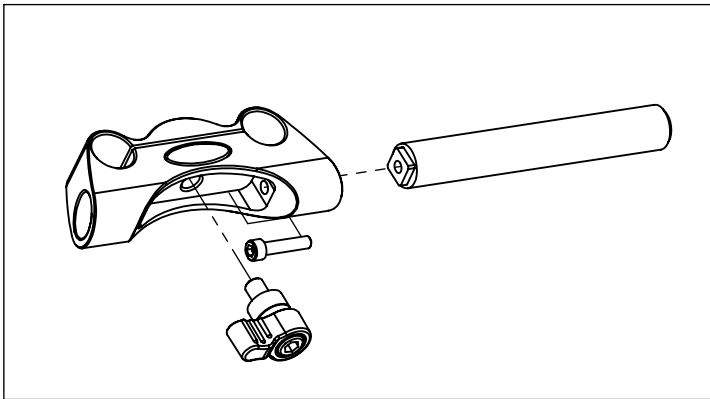


4" Handlebar Rods



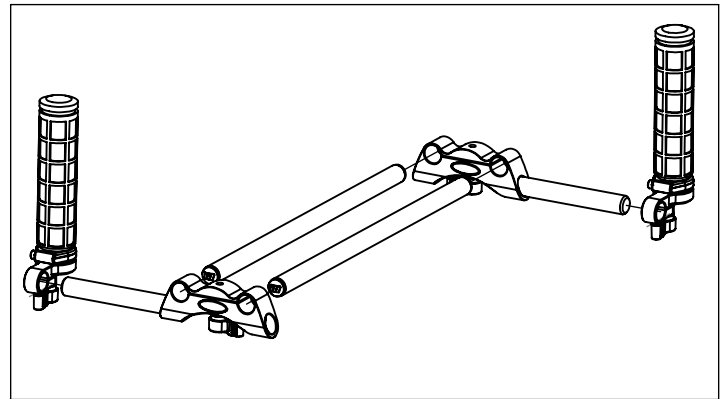
1 Steps needed for the Camera / DSLR Baseplate Assembly

- 1a: Attach appropriate set screw for camera to baseplate.
- 1b: Attach Camera to DSLR Baseplate



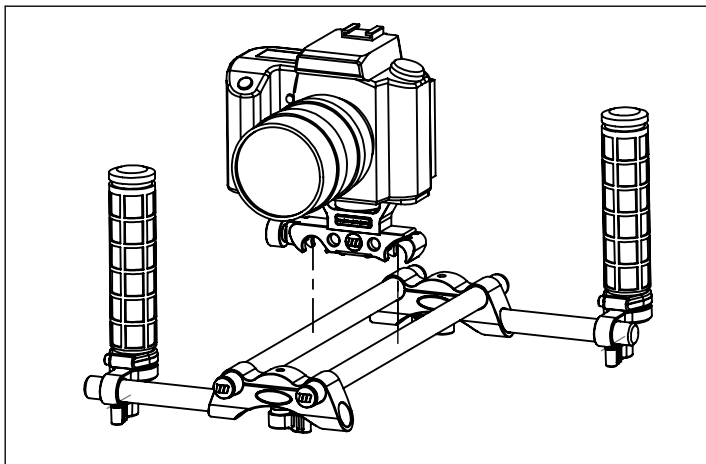
2 Steps needed to assemble the Handlebar CLamp:

- 2a: Attach 4" Handlebar Rod to Handlebar Clamp.
- 2b: Thread Handlebar Clamp Tightening Screw
- 2c: Repeat this step for the 2nd handlebar clamp and rod

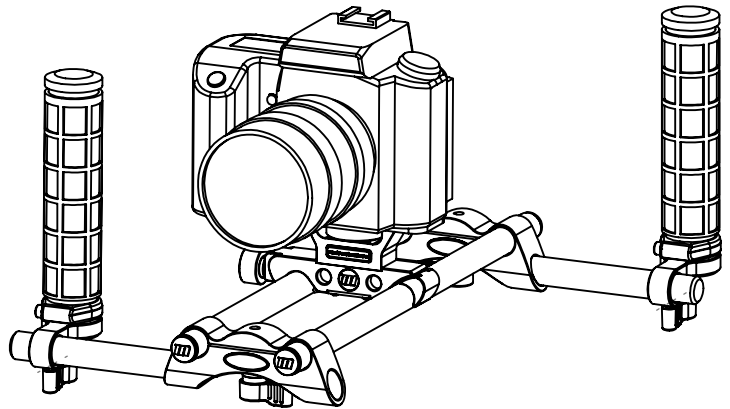


3 Steps needed for CF Rods / Grip Rods / Hand Grip Assembly:

- 3a: Insert Carbon Fiber Rods into Handlebar Clamp
- 3b: Add Handgrips to Carbon Fiber Rods



4 Attach Camera / DSLR Baseplate Assembly to CF Support Rods



5 ASSEMBLY COMPLETED! NOW GO SHOOT!

