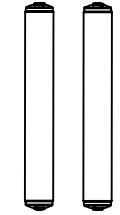


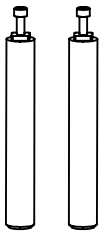


CAST REQUIRED:

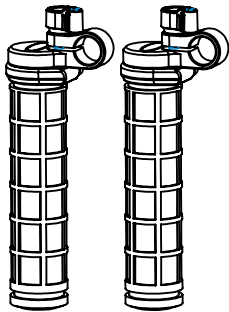
redrockmicro



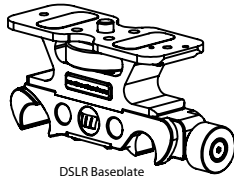
4" Carbon Fiber Rods



4" Handlebar Rods



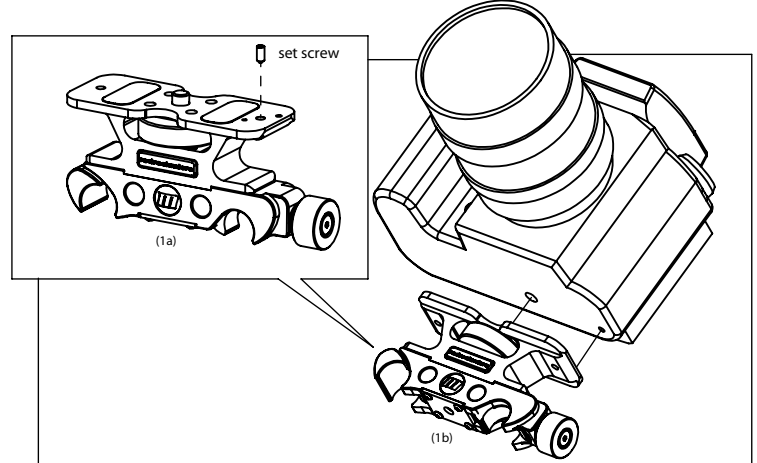
Handgrips



DSLR Baseplate

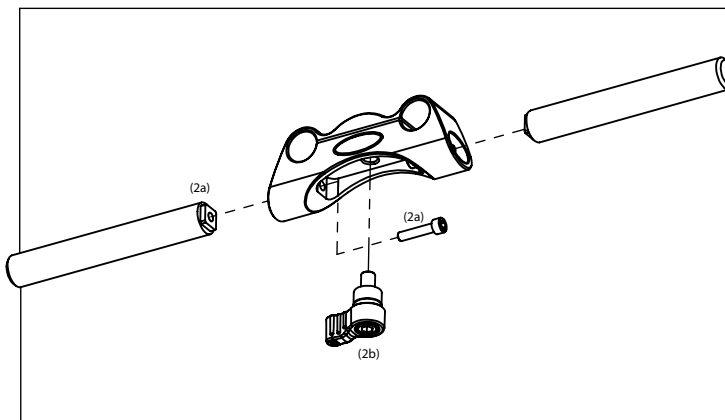


Handlebar Clamp



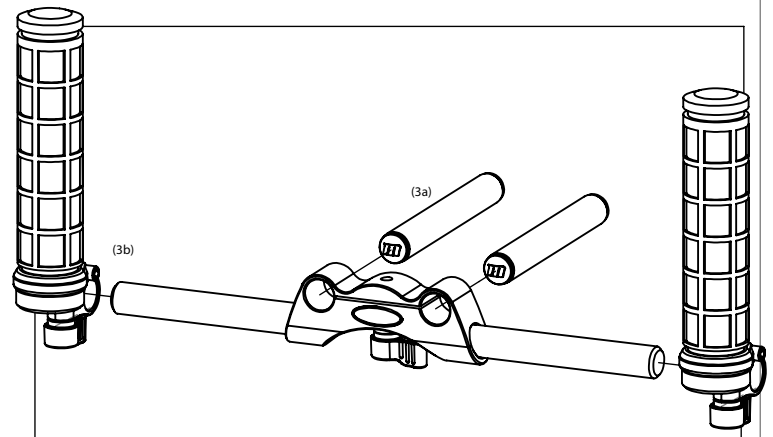
① Steps needed for the Camera / DSLR Baseplate Assembly

- 1a: Attach appropriate set screw for Camera to Baseplate.
- 1b: Attach Camera to DSLR Baseplate



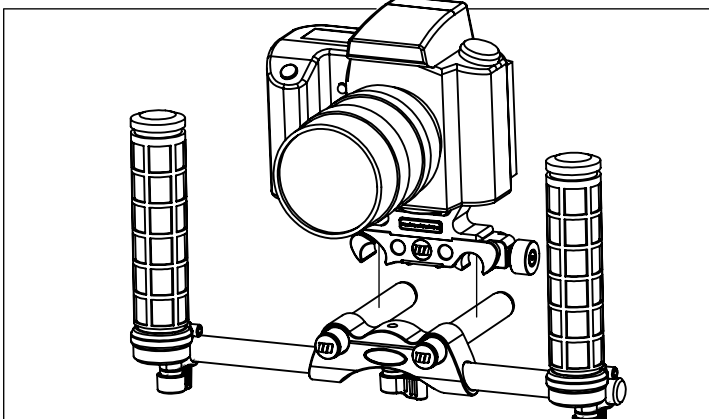
② Steps needed to assemble the Handlebar Clamp:

- 2a: Attach 4" Handlebar Rod to Handlebar Clamp.
- 2b: Thread Handlebar Clamp Tightening Screw

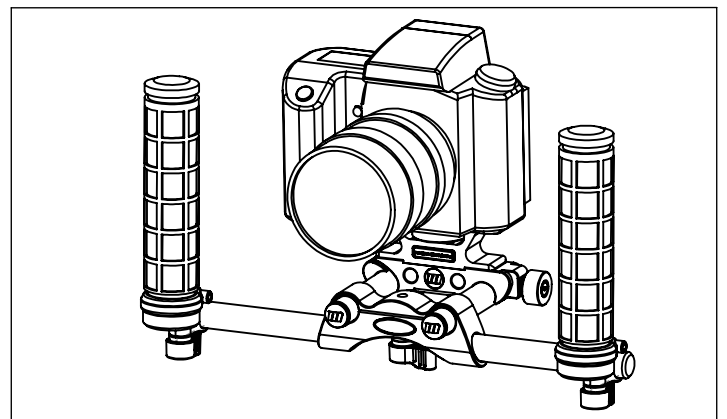


③ Steps needed for CF Rods / Grip Rods / Hand Grip Assembly:

- 3a: Insert Carbon Fiber Rods into Handlebar Clamp
- 3b: Add Handgrips to Carbon Fiber Rods



④ Attach Camera / DSLR Baseplate Assembly to CF Support Rods



⑤ ASSEMBLY COMPLETED! NOW GO SHOOT!

