



Title: STEALTH V
Scene: Redrock Micro's HD SLR NANO Series

CAST REQUIRED:



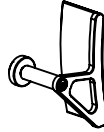
Nano DSLR Baseplate



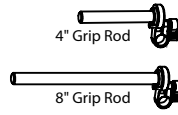
Optional Lip Pad



Micromount (2x)

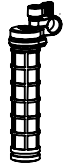


microBrace Body Pad



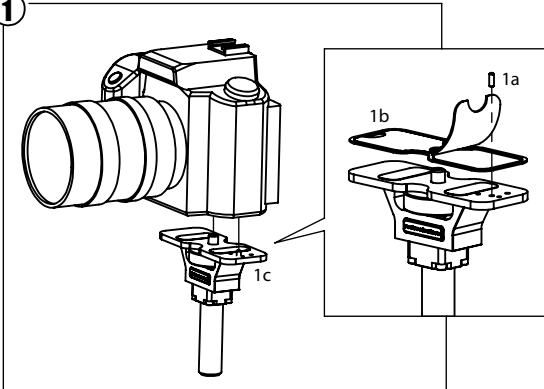
4" Grip Rod

8" Grip Rod



microHandGrip

1



(1a) Attach camera specific set screw to DSLR Baseplate. Kit comes with Canon and Nikon set screws

(1b) OPTIONAL LIP PAD Assembly Attach Optional Lip Pad by aligning pad with Baseplate. Once aligned and set, remove center

(1c) Once Camera Set Screw is in place, attach camera to DSLR Baseplate Assembly

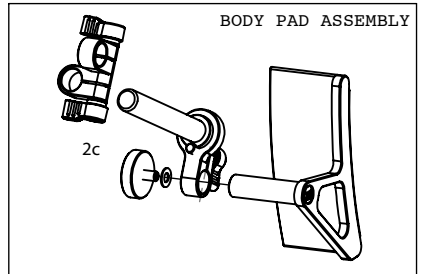
2

(2a) Attach camera / DSLR Baseplate assembly to 4" Grip Rod

(2b) Attach 4" Grip Rod to both the Body Pad assembly (2c) and the front handle assembly (2d)

(2c) BODY PAD ASSEMBLY Attach 4" Grip Rod to Body Pad and tighten knob. Add the microMount to the 4" Grip Rod

(2d) FRONT HANDLE ASSEMBLY Attach 8" Grip Rod to microMount. Attach 4" CF Rod to microMount and attach micro-Handle to CF Rod



FRONT HANDLE ASSEMBLY

