



redrockmicro

# Title: STEALTH GRIP Scene: Redrock Micro's HD SLR NANO Series

## CAST REQUIRED:



Nano DSLR Baseplate

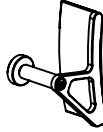


Camera Set Screw

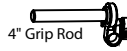
Optional Lip Pad



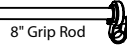
MicroMount



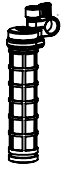
microBrace Body Pad



4" Grip Rod

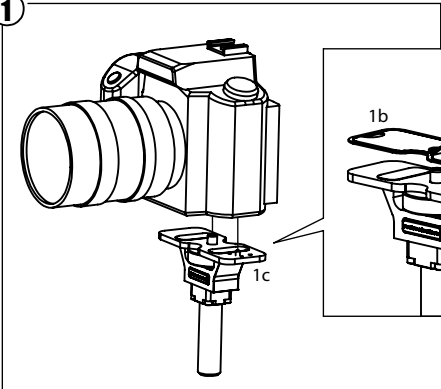


8" Grip Rod



microHandGrip

1



(1a) Attach camera specific set screw to DSLR Baseplate. Kit comes with Canon and Nikon set screws  
(1b) OPTIONAL LIP PAD Assembly Attach Optional Lip Pad by aligning pad with Baseplate. Once aligned and set, remove center

(1c) Once Camera Set Screw is in place, attach camera to DSLR Baseplate Assembly

2

(2a) Attach 8" Grip Rod to Body Pad Assembly

(2b) Attach Camera / DSLR Baseplate Assembly to 4" Grip Rod

(2c) Attach 4" Grip Rod assembly from previous step to microMount attached to the 8" Grip Rod / Body Pad assembly

(2d) Attach microHand Grip to 8" Grip Rod to complete the assembly

