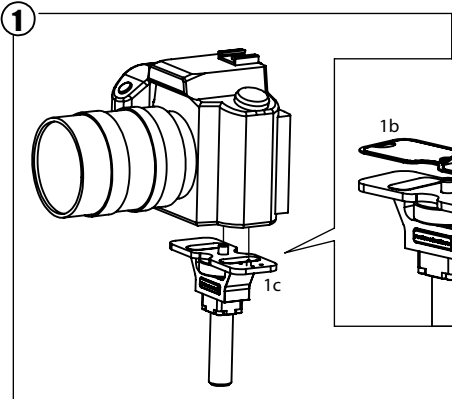
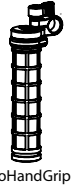
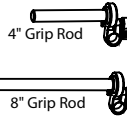
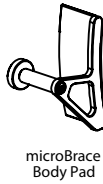
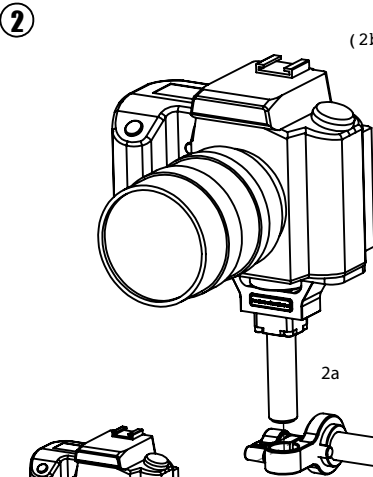


CAST REQUIRED:



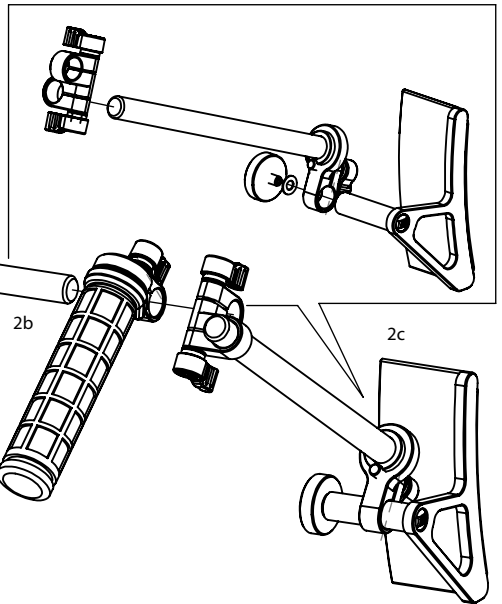
(1a) Attach camera specific set screw to DSLR Baseplate. Kit comes with Canon and Nikon set screws
 (1b) OPTIONAL LIP PAD Assembly Attach Optional Lip Pad by aligning pad with Baseplate. Once aligned and set, remove center
 (1c) Once Camera Set Screw is in place, attach camera to DSLR Baseplate Assembly

(2a) Attach Camera / DSLR Baseplate assembly to 4" Grip Rod



(2b) 4" Grip Rod / DSLR Baseplate assembly attaches to both microHandGrip and 8" Grip Rod / microBrace Assembly

(2c) microBrace Assembly: Attach microBrace to 8" Grip Rod and tighten knob. Attach microMount to 8" Grip Rod to complete assembly



ASSEMBLY COMPLETE!
NOW GO SHOOT!