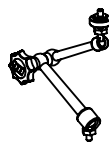




**Title:** THE LOWDOWN

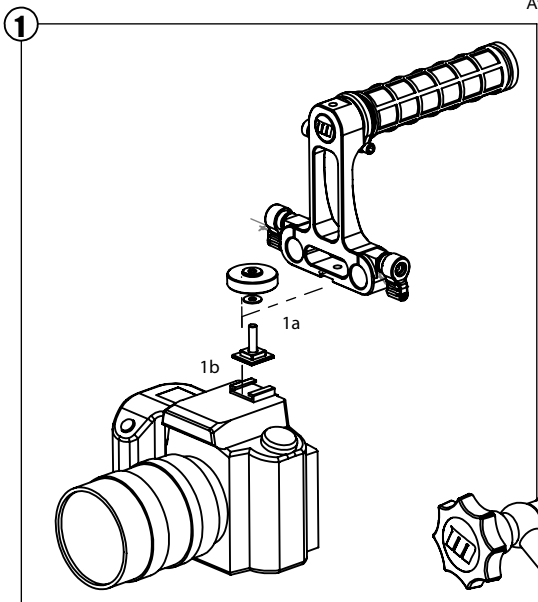
**Scene:** Redrock Micro's HD/SLR NANO Series

CAST REQUIRED:



microHandle Plus

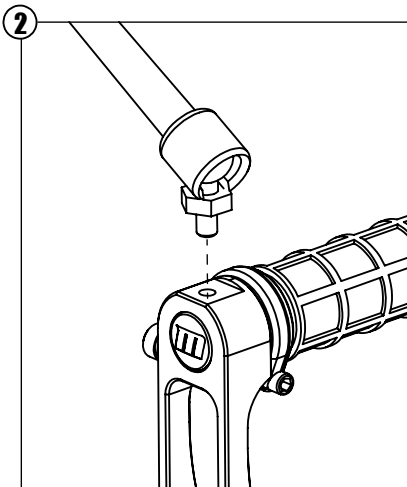
microArm Long



(1a) Attach microshoe attachment to microHandle by threading the shoe part through the bottom of the handle. Once shoe is in place, attach washer and screw to complete assembly

(1b) Attach microShoe / microHandle assembly to camera

NOTE: The microHandle Plus is only recommended for unibody DSLR Cameras



OPTIONAL microArm Attachment

microArm can be threaded to microHandle to allow attachment of additional accessories.

