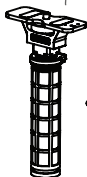




redrockmicro

**Title:** GRIPFIT  
**Scene:** Redrock Micro's HD SLR NANO Series

Cast Required:

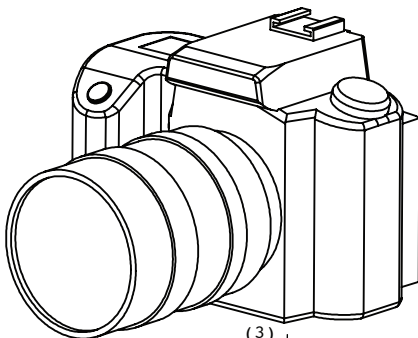


DSLR Baseplate  
Handgrip  
Assembly\*

  
Camera  
set screw

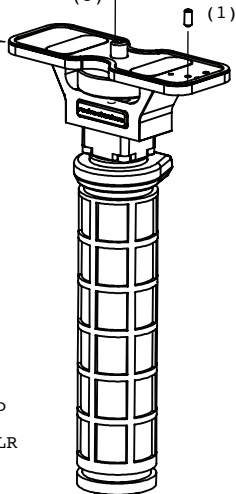
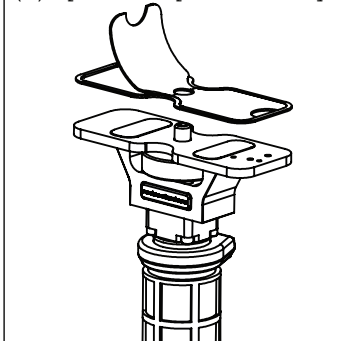


Optional  
Lip Pad



\*Handgrip and DSLR Baseplate  
come preassembled

(2) Optional Lip Pad Assembly



- (1) Add camera specific set screw to DSLR Baseplate
- (2) OPTIONAL: Attach Lip Pad to DSLR Baseplate
- (3) Attach camera to DSLR Baseplate

NOW GO SHOOT!



create the cinema experience

<http://start.redrockmicro.com>

Tutorials, forums, customer support