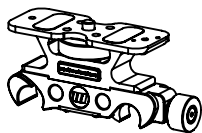


CAST REQUIRED:

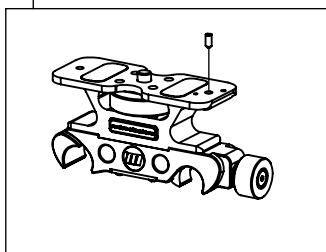


DSLR Baseplate



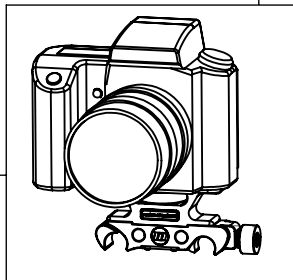
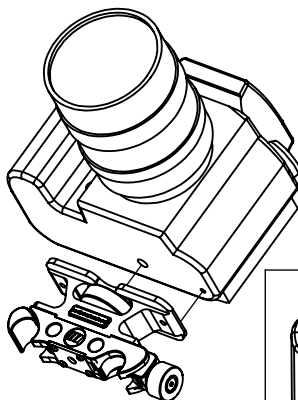
Also Included:
Both Nikon and Canon Set
Screw come with appropriate
allen wrench

1



Note:

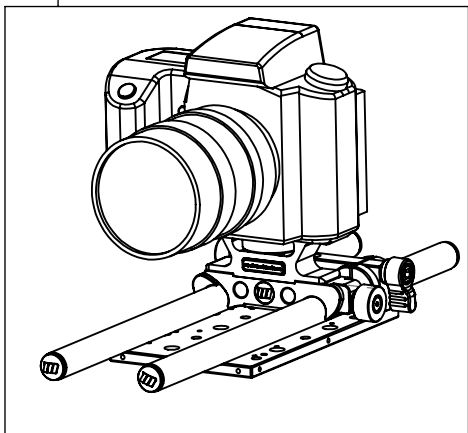
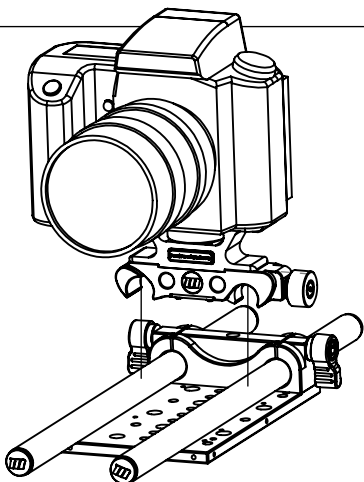
Using set screws is optional and does not impact performance or your rig



DSLR Baseplate / Camera Assembly

- (1a) Attach appropriate set screw (Canon or Nikon) to the DSLR Baseplate
- (1b) Align Set Screw / Baseplate and attach to Camera

2



ASSEMBLY COMPLETE! NOW GO SHOOT!!

- (2) Attach DSLR Baseplate / Camera assembly to 15mm rods. Tighten Knob on baseplate to secure assembly rods.

Note: DSLR Tripod Plate and Iris Rods sold separately.

