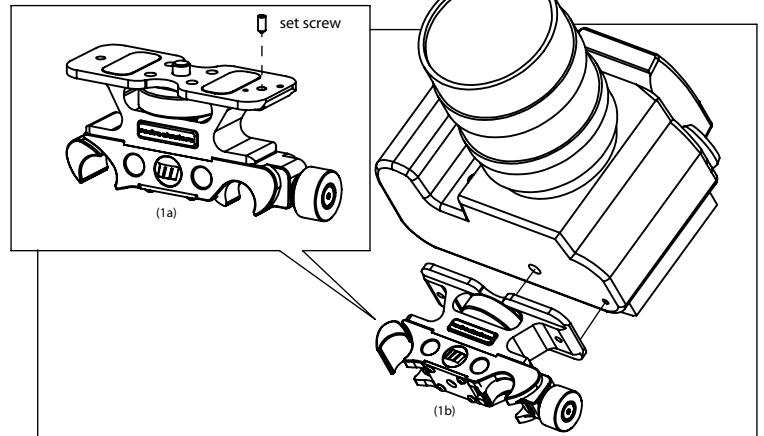
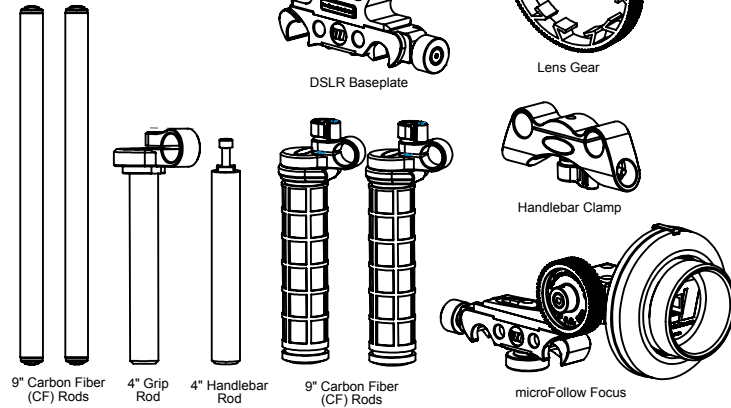
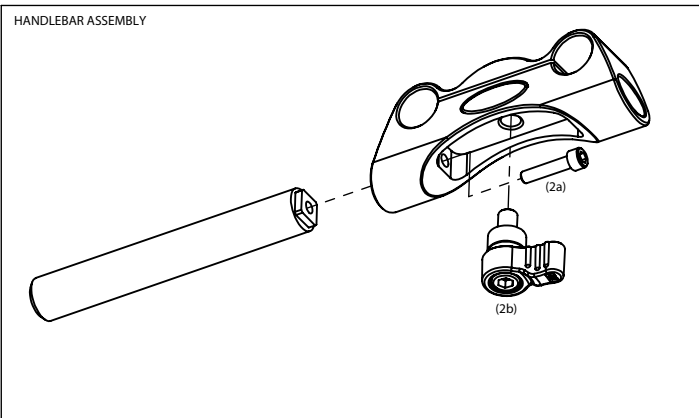




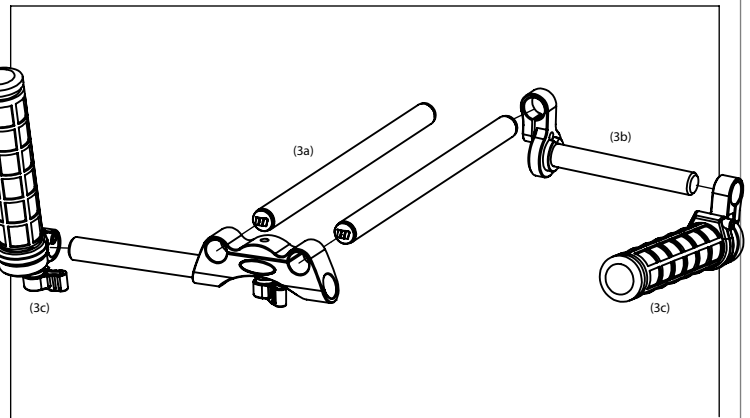
CAST REQUIRED:



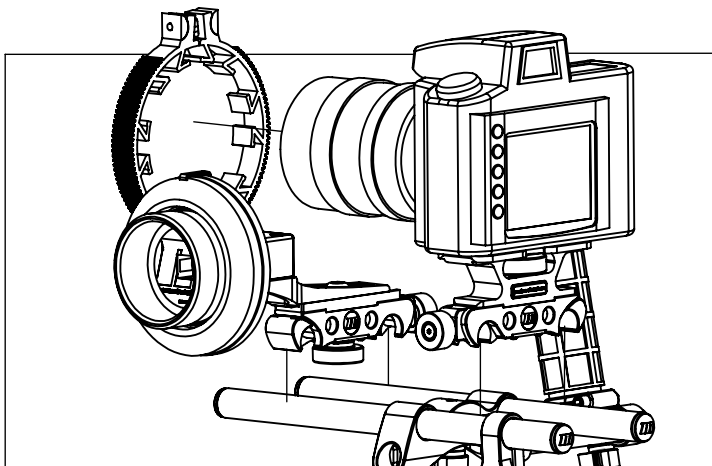
- ① Steps needed for the Camera / DSLR Baseplate Assembly
- 1a: Attach appropriate set screw for Camera to Baseplate.  
 1b: Attach Camera to DSLR Baseplate



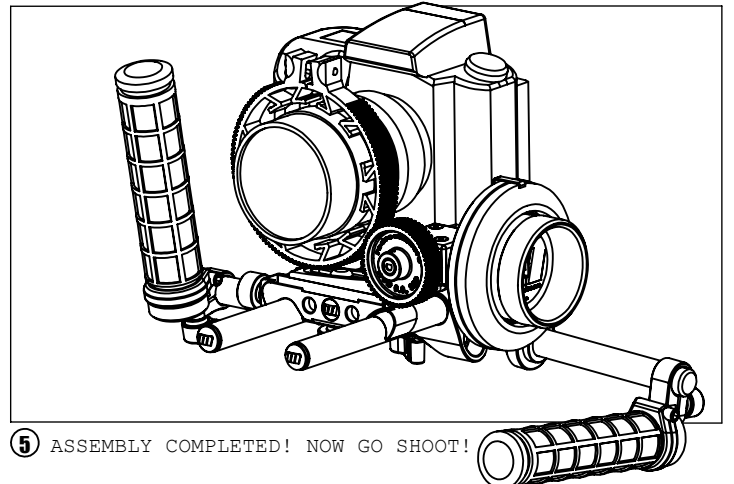
- ② Steps needed to assemble the Handlebar Clamp:
- 2a: Attach 4" Handlebar Rod to Handlebar Clamp.  
 2b: Thread Handlebar Clamp Tightening Screw



- ③ Steps needed for CF Rods / Grip Rods / Hand Grip Assembly:
- 3a: Insert Carbon Fiber Rods into Handlebar Clamp  
 3b: Attach 4" Grip Rod to CF Rod  
 3c: Add Handgrips to both Handlebar Rod and Rear Grip Rod



- ④ Steps needed for Lens Gear / Follow Focus / Camera Assembly
- 4a: Attach Lens Gear to Camera Lens  
 4b: Attach Follow Focus to CF Rods  
 4c: Attach Camera / DSLR Baseplate Assembly to CF Rods  
 HELPFUL HINT: Lens Gear and Follow Focus need to be aligned properly. Make sure that Gear / Follow Focus / Camera alignment is set appropriately



- ⑤ ASSEMBLY COMPLETED! NOW GO SHOOT!

